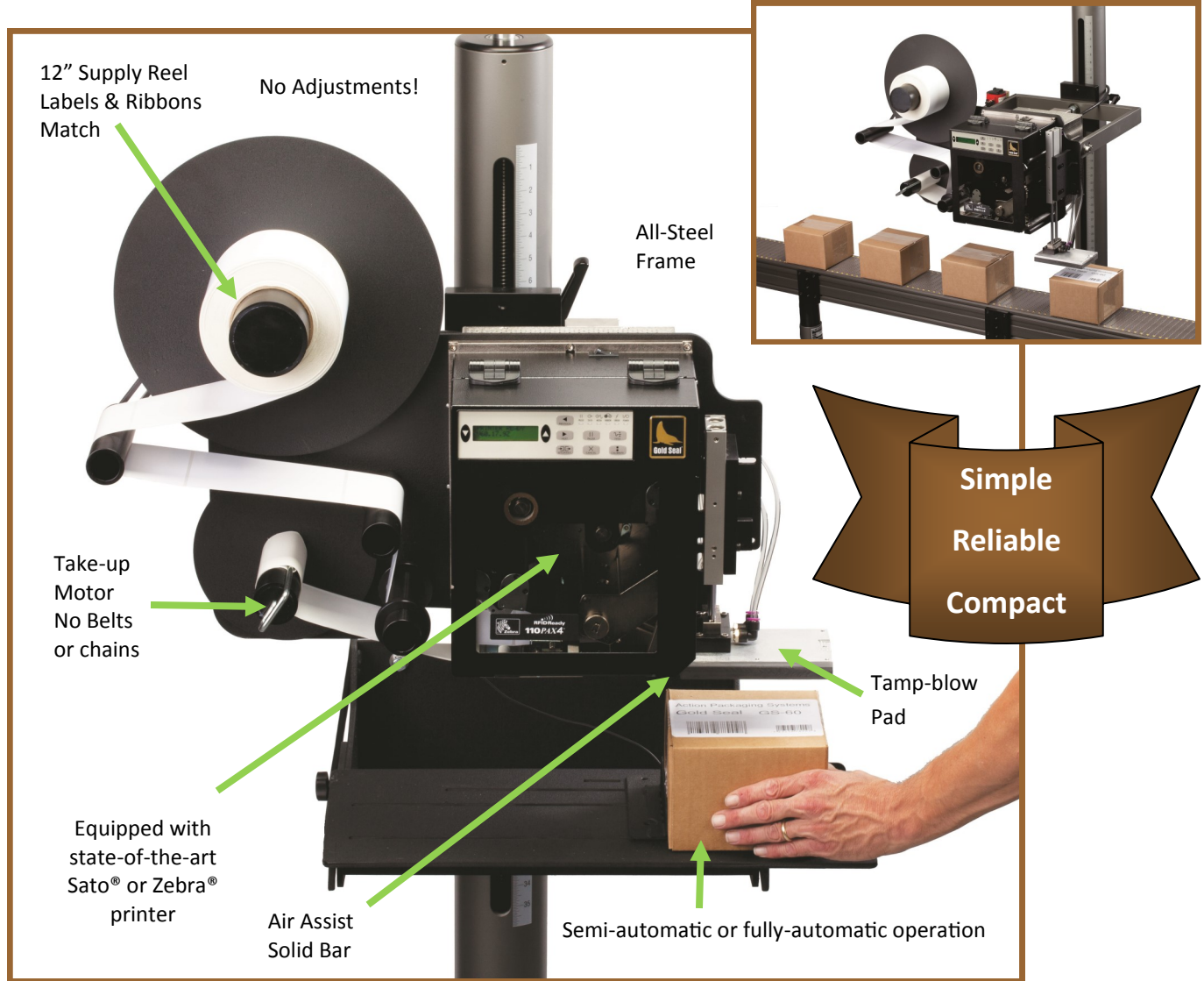




# GS-60 Printer Applicator available with fixture or conveyor-mounted



*Please contact us today to explore the possibilities.*

Headquarters: 2505 Hawkeye Court, Virginia Beach, VA 23452  
Toll-free 888-845-2235 Fax: 860-875-4293  
Email: [info@GoldSealApplicators.com](mailto:info@GoldSealApplicators.com)

**GoldSealApplicators.com**





*So easy to operate,  
it is "second-shift proof"*

### General Description

The Gold Seal® GS-60 is a state-of-the-art, compact, value-packed thermal transfer printer applicator that's ideal for stand-alone or integrated, industrial or consumer labeling and coding operations.

### Key Features include:

- No-knob, minimal operator adjustment for reliable operation
- Selectable "Tamp" or "Tamp/Blow" operation
- Labels and ribbons are both the same length for maximum efficiency and minimal downtime
- Tamp pad retracts upon impact
- Small footprint fixture base or stand configuration for maximum space-efficiency and flexibility
- Advanced, high-speed Sato® or Zebra® print engine for long, low-maintenance, reliable operating life.

### Applicator Specifications

Plug-in Interface Modules  
RS-232C serial interface (9,600 - 57,600 bps),  
high-speed IEEE1284(ECP) parallel interface,  
10/100 Base@T Ethernet, USB, Twinax/Coax,  
Wireless

MODEL	Sato M-8408Se	SatoM-8417Se
Resolution	203 dpi	305 dpi
Minimum Media Width	1.0"W x 0.25"L	1.0"W x 0.25"L
Maximum Media Width	5.25"	5.25"
Maximum Print Width	5.0"	5.25"
Maximum Print Speed	12.0 ips	8 ips

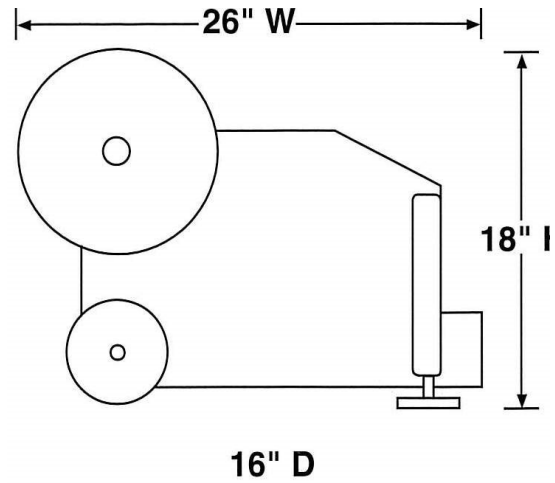
Label Roll Diameter: 12" O.D.

Label Core Diameter: 3"

Label & Ribbon Length: 1,345'

Utilities: 110-120 VAC; 60 psi dry air @ 3 cfm

Approvals: FCC Class A, UL, CSA, CE



### Dimensions

GS-60: 26"W x 18"H x 16"D  
With fixture base: 26"W x 24-1/2"H x 22"D  
With T-stand: 45"W x 54"H x 34"D



*Please contact us today  
to explore the possibilities*

Headquarters:  
2505 Hawkeye Court, Virginia Beach, VA 23452

Toll-free: 888-845-2235  
Fax: 860-875-4293

Email: [info@GoldSealApplicators.com](mailto:info@GoldSealApplicators.com)

**GoldSealApplicators.com**